

XORAYA N8000



XORAYA
high performance automotive platforms

The XORAYA N8000 is the central hub to connect all data logging devices within the car. Compact and specialized probes, like the cascadable XORAYA μ T-Z7, can then be placed close to the source and transfer the data via 1GbE/10GbE to the N8000. A removable PCIe storage unit (XORAYA RSU) is used to save up to 64 TB of log data. Alternatively, data can directly be downloaded to an external computer system via Ethernet.

In addition to the host functionality for other devices, the N8000 is also capable to directly record Ethernet data. Another feature is the mirroring of traffic from one port to another.

The N8000's slot system allows flexible configuration of Ethernet interfaces according to customer requirements.

A built-in supercapacitor unit is able to bridge power fluctuations and to shut the N8000 down safely in case of power failures. The XORAYA data logging family currently supports the following automotive bus system: CAN, CAN-FD, FlexRay, RS-232, LIN, MOST25, MOST150, Ethernet, 100/1000Base-T1 (OABR), PSi5 and analog signals; support of further bus systems is possible. The software protocols GNLog and DLT can also be recorded via Ethernet, 100/1000Base-T1 and RS-232.

All XORAYA devices are able to communicate through X2E's Distributed Logger Network (DLN) protocol, while the more general Probe Logger Protocol (PLP) allows linking with third party devices.

Specifications

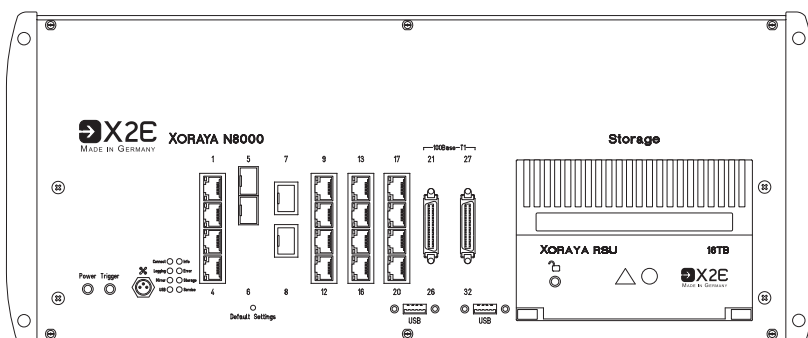
- 100 ns logging timestamp
- DLN (Distributed Logger Network) to communicate with XORAYA loggers and probes
- PLP (Probe Logger Protocol) for 3rd party probes
- Data rate 8,000 Mbit/s
- Removable storage unit (NVMe SSDs) up to 64 TB
- Dimensions (H x W x D) 188.8 x 443.4 x 304.4 188.8 x 476.1 x 304.4 (incl. wall fitting) 222.3 x 482.6 x 304.4 (incl. 19" flange panel)
- Temperature range -40 °C to +65 °C
- External operating voltage 6 V to 36 V
- Current consumption max. 16.6 A (at 12 V)
- Current consumption (standby) max. 1 mA (at 12 V)
- Automatic sleep mode, wake up by wakeline or trigger

Record Modes

- On removable storage unit
- Via Ethernet to PC

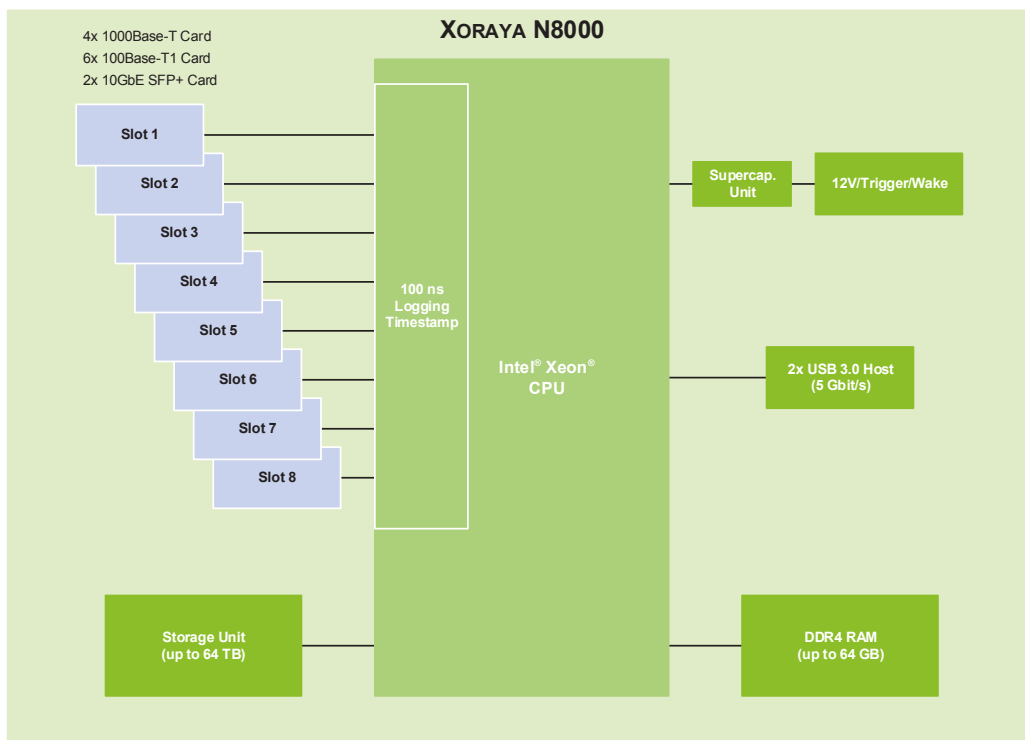
Software

- XORAYASuite and XORAYASDK for Microsoft Windows
- Browser-based configuration



Front view

XORAYA N8000



Delivery Contents

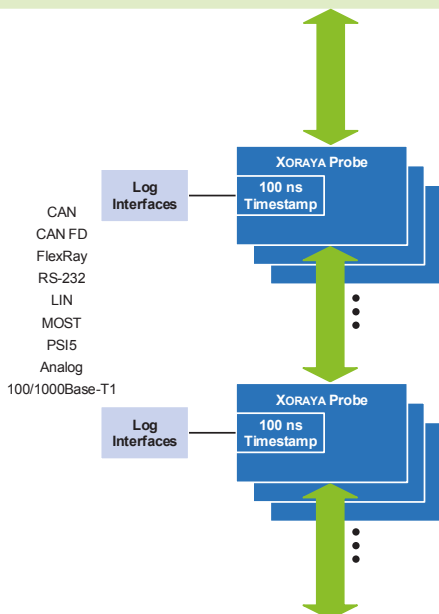
- XORAYA N8000
- Power supply cable
- Software
- Manual

Accessories

- Storage unit (XORAYA RSU)
- Wall fitting
- 19" flange panel

Standard Configuration

- 4x 10GbE
- 12x 1000Base-T
- 12x 100Base-T1
- 1x 4-port switch
- 2x USB 3.0



Pictures may differ from actual device.



3.05.2019



X2E Entwicklungszentrum
Jahnstr. 2b
76870 Kandell, Germany

Phone: +49 7275 9143-200
Email: xoraya@x2e.de
Web: www.x2e.de

