

# Automotive Ethernet Converter

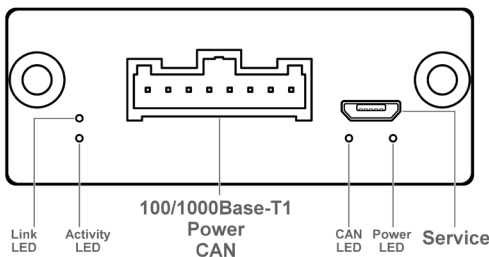


## Automotive Ethernet Converter

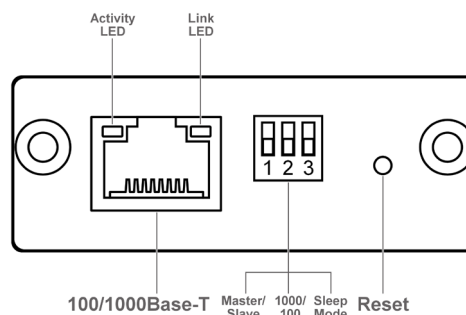
This device converts data between 100/1000Base-T1 (OPEN Alliance BroadR-Reach®) and 100/1000Base-T (standard Ethernet). It is primarily designed to convert Ethernet signals between a car's ECU on one side and a PC or data logger on the other but can also be used for any other application in industrial settings where this conversion is needed.

In addition to the conversion functionality, the media converter provides a high-speed CAN transceiver. If there is no activity on the connected CAN bus, the device can optionally be put into sleep mode to reduce power consumption. The sleep timeout is configurable via software.

Basic configuration is realised with DIP switches, and LEDs provide information about the current status of the media converter and the connected interfaces. The firmware of the device can be updated via USB bootloader.



Front view



Back view

### Features

- Converts between 100/1000Base-T1 and 100/1000Base-T
- Sleep/wake up via CAN transceiver
- Configuration via DIP switches
- Firmware update via USB bootloader
- Rugged aluminium enclosure

### Specifications

- Dimensions (H x W x D) 21 x 56 x 104 mm
- Data rate up to 1000 Mbit/s
- Temperature range -40 °C to +60 °C
- Supply voltage 6 V to 28 V
- Current consumption max. 150 mA (at 12 V)
- Current consumption (standby) max. 13 mA (at 12 V)

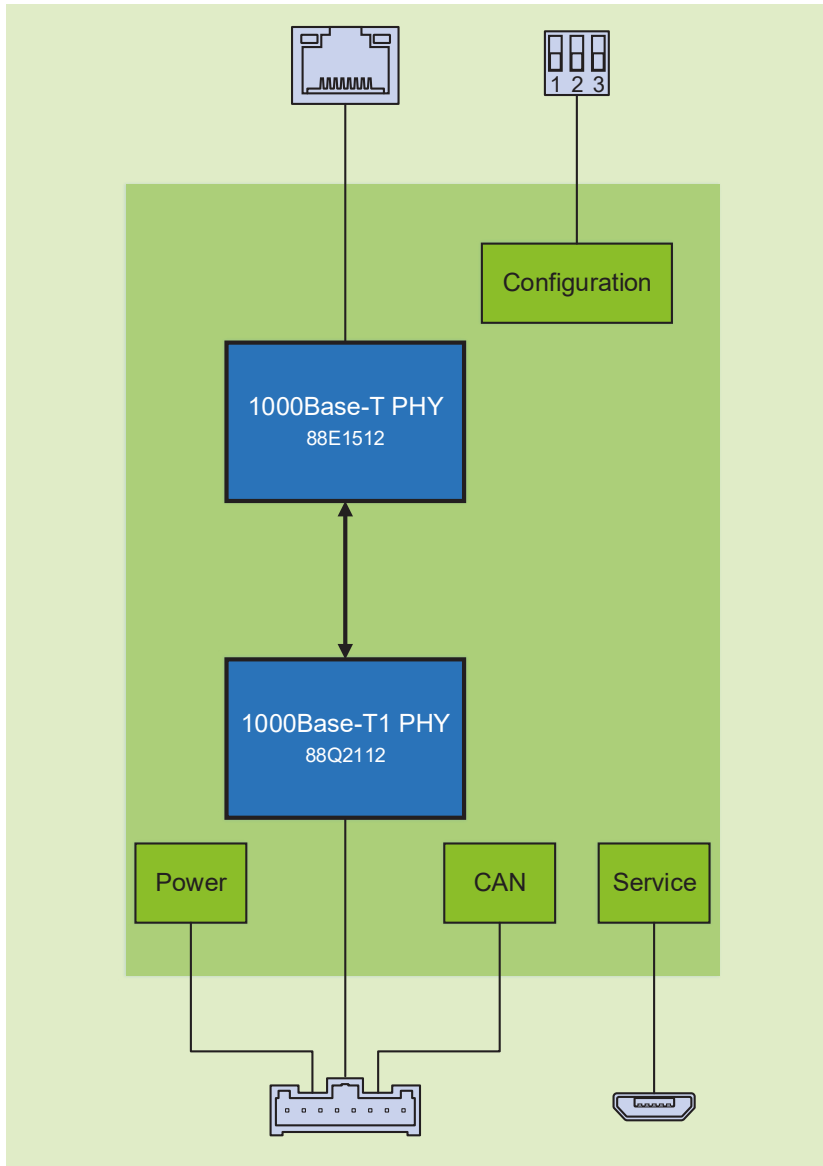
### Delivery Contents

- Automotive Ethernet Converter
- Cable set (optional)
- Software
- Manual

X2E Entwicklungszentrum  
Jahnstr. 2b  
76870 Kandel, Germany

Phone: +49 7275 9143-200  
Email: [xoraya@x2e.de](mailto:xoraya@x2e.de)  
Web: [www.x2e.de](http://www.x2e.de)

# Automotive Ethernet Converter



Block diagram

#### Connectors

- 8-pin connector for 100/1000Base-T1, power and CAN
- RJ45 for 100/1000Base-T1
- Micro USB as a service interface

#### DIP Switches

- Master or slave mode
- 100 or 1000 Mbit/s
- Sleep mode ON/OFF

#### LEDs

- 100/1000Base-T1 link and activity
- 100/1000Base-T1 link and activity
- CAN activity
- Power

Errors and omissions excepted.



3.022020