

# XORAYA N8000



The XORAYA N8000 is the central hub to connect all data logging devices within the car. Compact and specialized probes, like the cascadable XORAYA  $\mu$ T-Z7, can then be placed close to the source and transfer the data via 1GbE/10GbE to the N8000. A removable PCIe storage unit consisting of NVMe SSDs is used to save up to 64 TB of log data. Alternatively, data can directly be downloaded to an external computer system via Ethernet.

In addition to the host functionality for other devices, the N8000 is also capable to directly record Ethernet data. Another feature is the mirroring of traffic from one port to another.

The N8000's slot system allows flexible configuration of Ethernet interfaces according to customer requirements.

A built-in supercapacitor unit is able to bridge power fluctuations and to shut the N8000 down safely in case of power failures. The XORAYA data logging family currently supports the following automotive bus system: CAN, CAN-FD, FlexRay, RS-232, LIN, MOST25, MOST150, Ethernet, 100/1000Base-T1 (OABR), PSI5 and analog signals; support of further bus systems is possible. The software protocols GNLog and DLT can also be recorded via Ethernet, 100/1000Base-T1 and RS-232.

All XORAYA devices are able to communicate through X2E's *Distributed Logger Network (DLN)* protocol. In future, the more general *Probe Logger Protocol (PLP)* will also allow linking with third party devices.

## Specifications

- 100 ns logging timestamp
- DLN (Distributed Logger Network) to communicate with XORAYA loggers and probes
- PLP (Probe Logger Protocol) for 3rd party probes
- Data rate  
8,000 Mbit/s
- Removable storage unit (NVMe SSDs) up to 64 TB
- Dimensions (H x W x D)  
188.8 x 460.7 x 304.4 mm /  
188.8 x 493.5 x 304.4 mm (with mounting kit)
- Temperature range  
-40 °C to +65 °C
- External operating voltage  
6 V to 36 V
- Current consumption  
*tbd.*
- Current consumption (standby)  
max. 1 mA (at 12 V)
- Automatic sleep mode, wake up by wakeline or trigger

## Record Modes

- On removable storage unit
- Via Ethernet to PC

## Software

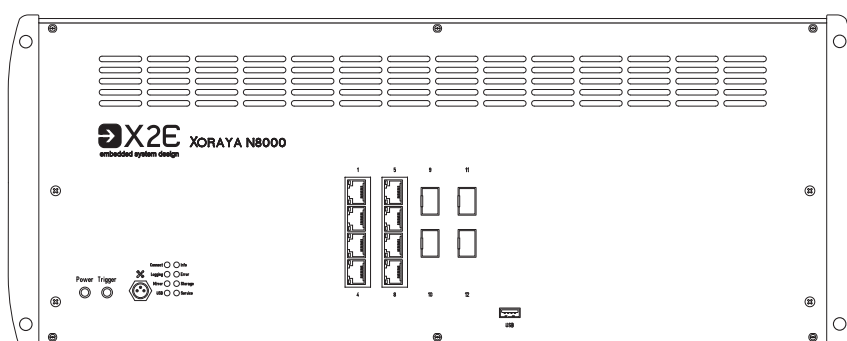
- XORAYASuite and XORAYASDK for Microsoft Windows

## Delivery Contents

- XORAYA N8000
- Power supply cable
- Software
- Manual

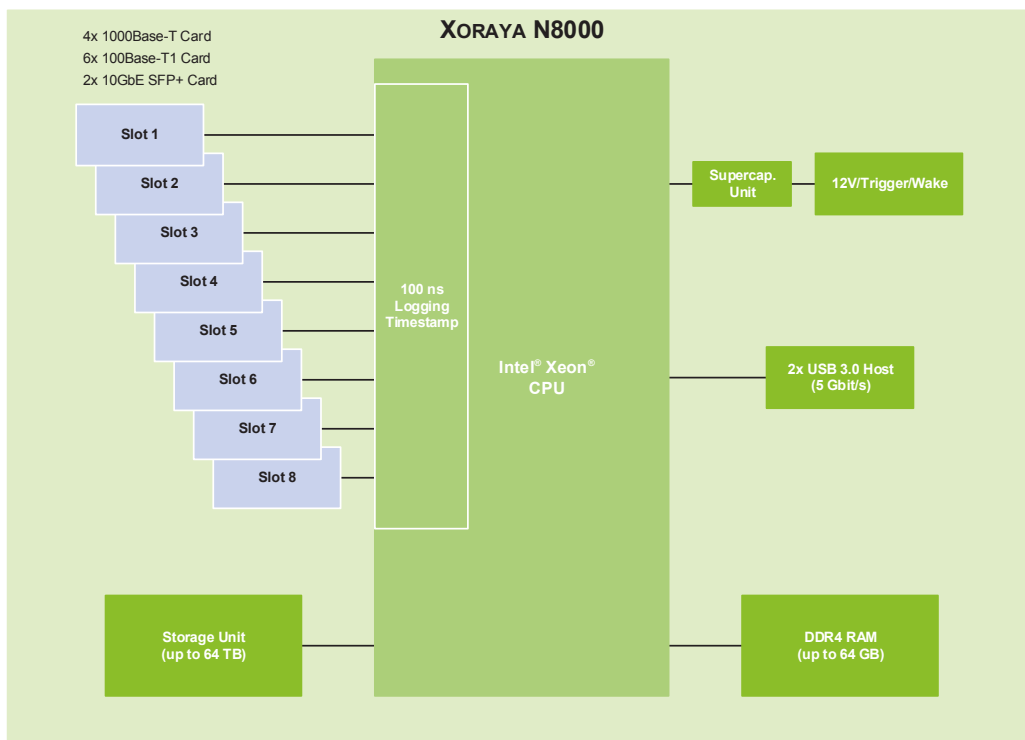
## Accessories

- Mounting kit
- Storage unit(s)
- SFP+ modules



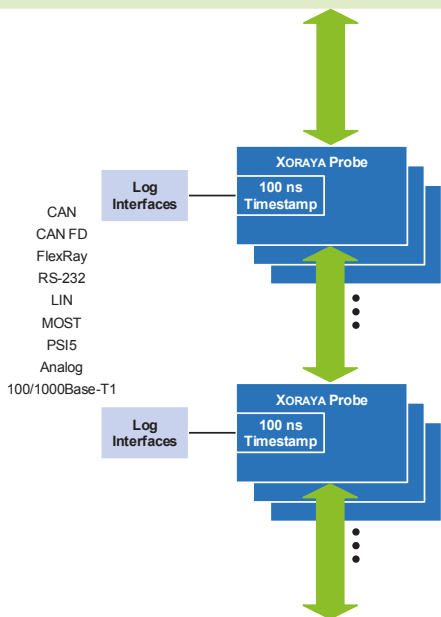
Front view

# XORAYA N8000



**Standard Configuration**

- 3x 10GbE (logging)
- 1x 10GbE (streaming)
- 12x 1000Base-T
- 12x 100Base-T1
- 1x 4-port switch
- 2x USB 3.0



Block diagram

Pictures may differ from actual device.



1.08/2018

X2E Entwicklungszentrum  
Jahnstr. 2b  
76870 Kandell, Germany

Phone: +49 7275 9143-200  
Email: xoraya@x2e.de  
Web: www.x2e.de